

# ***Response***<sup>™</sup>

---

## **Professional Heavy Duty Colour Camera CCTV Kit CA5**

---



### **Installation and Operating Instructions**

---

These instructions should be retained in a safe place for future reference.

---

The Response Professional Heavy Duty Camera is a colour, weatherproof day/night camera. The camera easily connects to your TV/VCR/DVR for the protection of your home or office, etc. The camera is easily mounted on the wall using the supplied mounting bracket and fixings.

**Please read before you start:**

Always use discretion when installing CCTV surveillance equipment especially when there is perceived policy. Enquire regarding local regulations applicable to the lawful installation of video recording/surveillance. Third party consent may be required.

## **SAFETY AND INSTALLATION TIPS:**

Do not attempt to open the unit without isolating the mains power to avoid any risk of personal injury.

When installing CCTV camera(s), always follow manufacturer's advice when using power tools, steps, ladders, etc. and wear suitable protective equipment (e.g. safety goggles) when drilling holes. Before drilling holes through walls check for hidden electricity cables and water pipes. The use of a cable/pipe detector is advisable.

When installing any cameras, it is advisable to use cable conduit to protect any video/power extension cables from being exposed externally and to prevent/reduce the chances of the cables being tampered with. After drilling any hole through an external wall for a cable, ensure the hole is sealed up around the cable using a sealant to prevent drafts.

To prevent a fire or electrical shock hazard, do not attempt to open the housing of the Heavy Duty Camera while the unit is exposed to rain, water or wet conditions. There are no user serviceable parts inside. Refer servicing to qualified service personnel.

## **IMPORTANT PLEASE READ:**

The camera is supplied fitted with a 3 pin UK plug. If this plug is cut off, then the wiring must be terminated at a suitable mains supply junction.

If the plug is cut off then the product must be installed by competent person (e.g. a qualified electrician) in accordance with these instructions and the appropriate clauses of the current edition of the IEE Wiring Regulations (BS7671) and Building Regulations.

## NIGHT VISION:

The camera has built-in infra-red LEDs to allow you to view at night for 24hrs surveillance. The LEDs will automatically activate at night and the picture viewed will turn to black and white.

---

## KIT CONTENTS

### Section 2

---

- 1 x Professional Heavy Duty Colour Camera fitted with a 1m mains power lead terminated with a UK plug
- 1 x 10m BNC (male plug) to BNC (male plug) extension cable
- 1 x BNC (female) to RCA (male) adaptor
- 1 x Camera fixings kit - wall plugs and screws  
*3 x Ø6mm x 50mm screws and expandable metal plugs are supplied for the wall bracket*
- 1 x Installation and operating manual
- 1 x Window sticker

### Tools Required:

Electric drill

8mm masonry drill bit

Masonry drill bit:

15mm bit (*when only passing the video cable through the wall and the mains power to the camera is supplied via a weatherproof mains socket*) or

20mm bit (*when both the video and power cables need to pass through the wall*)

No. 2 Phillips screwdriver

3mm flat blade screwdriver

### What you need to purchase:

- 1 x MK Masterseal mains socket outlet (optional - only use if you wish to supply mains power to each camera from an external mains socket outlet).  
Product part number 56480 GRY.

1. Use the camera's main bracket to mark out the x 3 mounting holes and cable connector's entry hole on the chosen location of the wall (Fig. 1).

Drill 3 x 8mm holes for the mounting bracket's expandable metal wall plugs. Drill 1 x 15mm or 20mm hole for the camera's cable(s) to pass through the wall (depending on installation, drill a 15mm hole if passing only the video cable (see Fig. 3) or a 20mm hole if passing both cables).

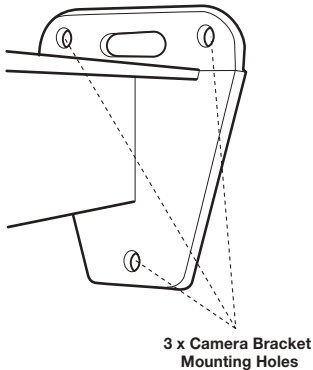


Fig. 1.

2. Fit the bracket to the wall using the screws and wall plugs. If you also choose to pass the power lead through the wall and supply mains from inside the property, you will need to cut off the 3 pin plug from the lead and terminate the lead to a suitable mains junction box once the cable has passed through the wall into the property.

If the plug is isolated then ensure installation is conducted by a competent person (e.g. a qualified electrician) taking note of the internal wiring colours.

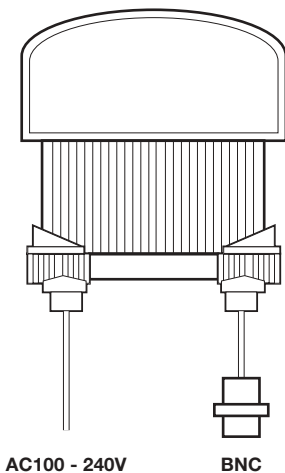


Fig. 2.

### Internal wiring colours:

Live	=	Brown wire
Neutral	=	Blue wire
Earth	=	Green/Yellow wire

**Note:** It is recommended to pass the cable(s) into the property as close to the camera as possible to reduce the chances of any exposed cables being tampered with. If you choose to run the cable along the wall outside the property, it is recommended to use cable conduit to hide the cable and reduce the chances of it being tampered with.

Alternatively another option is to supply the mains power to an IP56 rated weatherproof socket outlet per camera (*product reference – MK Masterseal box 56480 GRY (IP56 rated)*). The fitted power plug on the camera can then simply plug into this box as shown (Fig. 3).

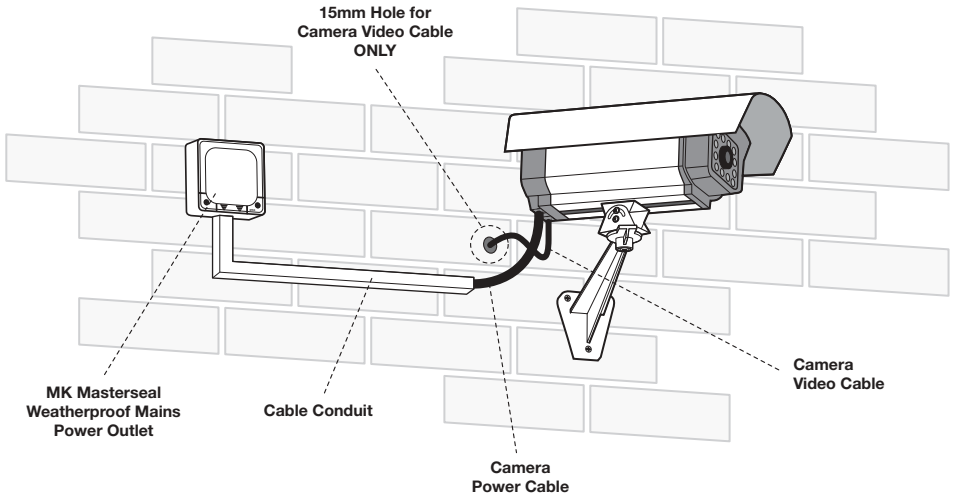


Fig. 3.

3. Screw the camera base to the bracket as shown (Fig. 4) before passing the cable(s) through walls.
4. Adjust the camera head viewing position as required and tighten all screws. You can make adjustments to the required viewing position as shown (Fig. 5).

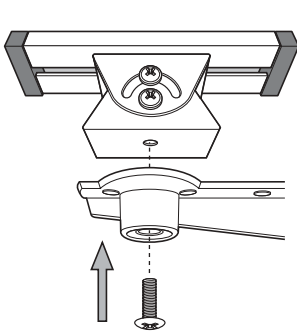


Fig. 4.

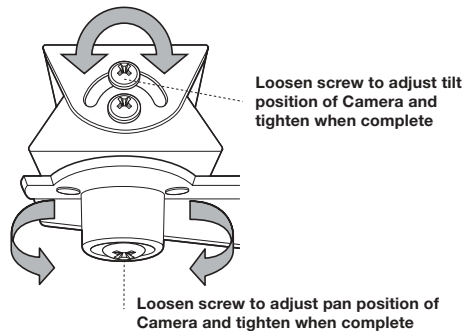


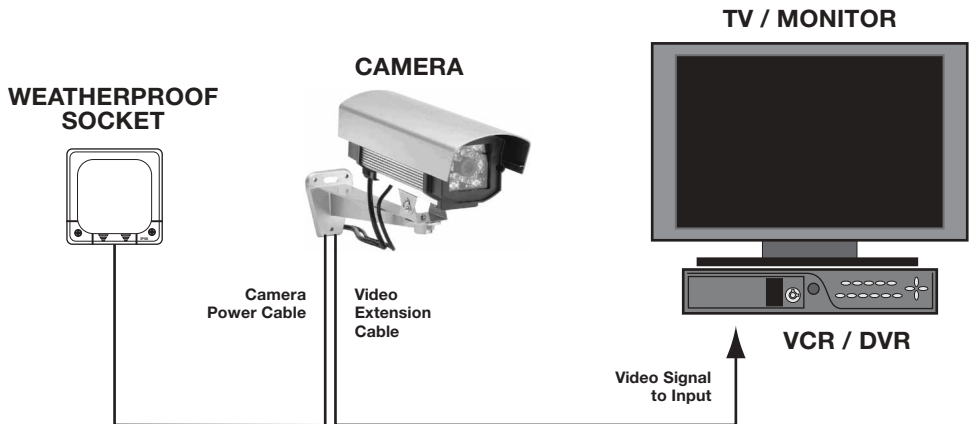
Fig. 5.

5. The camera is supplied fitted with a 1m video cable terminated with a BNC female plug.
6. Connect the male end of the video BNC connector from the extension cable into the camera end.
7. Fit the BNC to RCA adaptor into the other end of the extension cable to allow you to plug directly into the video input of your TV/VCR.

**Note:** If you are using this camera with a CCTV 4 channel DVR where the video input channels use BNC female connectors, then simply plug the other end of the extension cable in without using the supplied adaptor.

8. Tune your TV/VCR to auxiliary (AUX), A/V or video mode to view the camera.  
(**Note:** Refer to your TV/VCR owner's manual for setting this up).
9. Adjust the camera viewing position, as required, if necessary.

## Connection Summary



**Note:** If the supplied extension cable is not long enough, the extension cable for this camera can only be extended up to **30m** in total length due to power loss.

PROBLEM	SOLUTION
<i>No picture can be viewed</i>	Check the mains supply and all video connections to the camera.  The TV/VCR/DVR is not tuned to view the correct channel.
<i>Poor picture quality</i>	Clean the camera lens.  Adjust the contrast/brightness on the TV.

<b>ITEM</b>	<b>PROFESSIONAL HEAVY DUTY CAMERA</b>
Image sensor	1/3" Sharp CCD
Video format	PAL / NTSC
Pixel resolution	PAL: 512 (H) x 582 (V) NTSC: 510 (H) x 492 (V)
Horizontal resolution	420 TV lines
Viewing angle	53°
Lens size	6mm
Night vision range	Up to 20m
Number of infra-red LEDs	11
IP rating	IP54
Operating temperature	- 10°C to 50°C
Power supply	100VAC to 240VAC
Cable type connections	Fitted with 1m cable terminated with female BNC (video) and 1m mains power cable terminated with a 3 pin UK plug
Dimensions (L x W x H)	Camera only: 300 x 96 x 104mm Camera with bracket: 416 x 96 x 211mm
Weight	1300g (with bracket fitted)

There are a range of accessories available in the Response CCTV product range to expand your system:

CWK1	Wired Colour Camera CCTV Kit
CA1	2 Channel Digital Video Image Recorder
CA2	LCD Screen for Wireless/Wired CCTV Kits
CWFK1	Wireless Colour Camera CCTV Kit
CA3	Wireless Colour Accessory Camera <i>(requires CWFK1 CCTV KIT to operate)</i>
CA6	Dummy Professional Heavy Duty Camera
CA7	4 Channel Digital Video Image Recorder
CA8	Wired Internal Colour Dome Camera CCTV Kit
CA9	Dummy Internal Dome Camera
CA10	Heavy Duty Colour Camera CCTV Kit
CA11	Dummy Heavy Duty Camera
CA4	10m Extension Cable Kit
CA12	20m Extension Cable Kit

**Note:** The maximum extension cable length for any wired camera with this system is **30m** without reducing the picture quality of the video.

## Directive (2002/96/EC)

This product is classified by the Waste Electrical or Electronic Equipment (WEEE) Directive. It should not be disposed of with other household or commercial waste. At the end of its useful life the packaging and product should be disposed of via a suitable recycling centre. For information on available facilities, please contact your local authority or the retailer from where the product was purchased.



Novar ED&S undertakes to replace or repair at its discretion goods (excluding non rechargeable batteries) should they become defective within 1 year solely as a result of faulty materials and workmanship.

If the product has not been installed, operated or maintained in accordance with the instructions, has not been used appropriately or if any attempt has been made to rectify, dismantle or alter the product in any way the guarantee will be invalidated.

The guarantee states Novar ED&S entire liability. It does not extend to cover consequential loss or damage or installation costs arising from the defective product. This guarantee does not in any way affect the statutory or other rights of a consumer and applies to products installed within UK and Eire only.

If an item develops a fault, the product must be returned to the point of sale with:

1. Proof of purchase.
2. A full description of the fault.
3. All relevant batteries (disconnected).

Response is a trademark of Novar ED&S.

---

## CUSTOMER HELPLINE

**Most issues can be solved over the phone in a few minutes.**

**Please contact our Helpline Team on the number below for any installation and general advice regarding our products:**

# 0844 736 9149

Lines open 9.00am to 5.00pm, Monday to Friday.

Calls charged at service providers national rate.



**Novar Electrical Devices and Systems Limited. (A Honeywell Company)**

The Arnold Centre, Paycocke Road, Basildon, Essex SS14 3EA. UK

[www.friedland.co.uk](http://www.friedland.co.uk)