

Response Alarms: Introduction



Friedland Response is a wired and wirefree range of security systems, offering a cost effective solution which is easy to install and easy to operate. Systems are available in a variety of sizes and capabilities to suit specific installation requirements. A full range of accessories are available to upgrade and expand systems.

Features and Benefits:

- Suitable for any home
- Secure 868MHz technology (wireless alarms only)
- Comprehensive range of accessories
- Tamper and jamming detection provides additional security and prevents interference from potential intruders
- Energy saving solar siren (wireless alarms only)

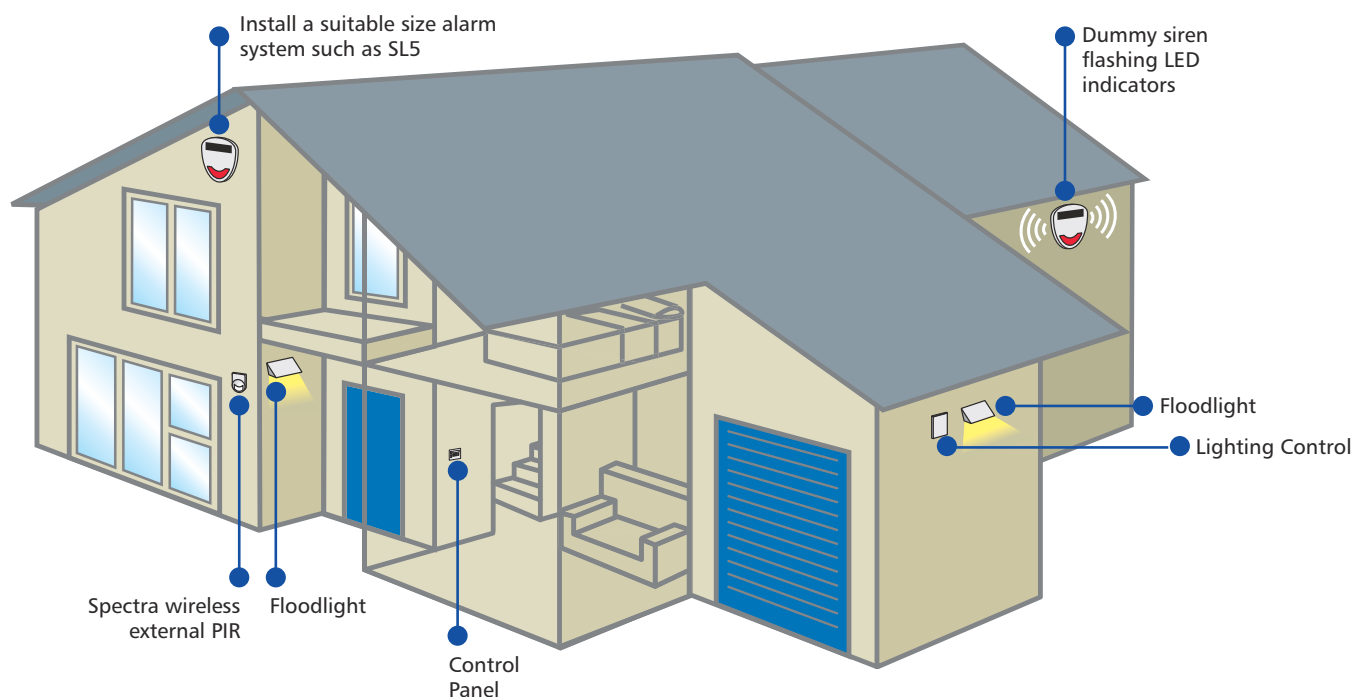
Response Wireless Alarm Systems

Friedland have a successful history of providing wirefree alarm systems to homeowners across both the UK and Europe, offering quality products with simple wireless installation and easy operation.

All wireless alarm systems operate by sending signals across radio frequencies, commonly the crowded 433MHz frequency. Friedland now introduce a new range of wireless alarm systems, using the more secure 868MHz frequency that is less prone to interference from other devices than systems operating on 433MHz. The higher antenna output provides a stronger transmission enhancing the performance and range from the control unit to the accessories.

Features and Benefits:

- Improved range between control unit and accessories – providing greater flexibility on where to install devices
- 20 bit technology gives one million house codes – maximum security virtually eliminating risk of signal jamming or hacking
- G4 is a unique protocol owned and developed by Friedland – compatible only with Friedland products
- Self learning between components and control units – faster, easier installation – no more dip switches
- Tighter regulatory restrictions for the 868MHz band than those for the 433MHz band – specifically for security and alerting products
- Solar siren – powered by light, reduces inconvenience of changing batteries



Response Wireless Alarm Systems

PREMIUM WIRELESS HOME AND AWAY ALARM SYSTEM

SL1



- Suitable for the smaller home
- Easy to install
- Advanced 868MHz technology
- Energy saving solar powered siren
- Remote control
- 125m range
- Expand system up to 12 PIRs and/or door contacts plus 6 remotes/keypads

CONTENTS

1 x solar siren with LED indicators, 2 x door/window contacts, 1 x movement (PIR) detectors, 1 x remote control, batteries, fixings, instruction manual and installation DVD

UNIT BARCODE 5004100954909

PREMIUM WIRELESS MULTI USER ALARM SYSTEM

SL2



- Suitable for the family home
- Easy to install
- Advanced 868MHz technology
- Energy saving solar powered siren
- Keypad operated
- 125m range
- Expand system up to 12 PIRs and/or door contacts plus 6 remotes/keypads

CONTENTS

1 x solar siren with LED indicators, 2 x door/window contacts, 2 x movement (PIR) detectors, 1 x remote keypad, batteries, fixings, instruction manual and installation DVD

UNIT BARCODE 5004100954893

PREMIUM WIRELESS MULTI FUNCTION ALARM SYSTEM

SL3



- Suitable for the larger home
- Easy to install
- Advanced 868MHz technology
- 6 zone LED control panel
- Energy saving solar powered siren
- Compatible with Premium Wireless external lighting control accessory (HW12)
- 125m range
- Expand system up to 18 PIRs and/or door contacts plus 6 remotes/keypads

CONTENTS

1 x solar siren with LED indicators, 2 x door/window contacts, 2 x movement (PIR) detectors, 1 x control panel, batteries, fixings, instruction manual and installation DVD, plug in power supply for control panel

UNIT BARCODE 5004100954886

Response Wireless Alarm Systems

PREMIUM WIRELESS TELECOMMUNICATING ALARM SYSTEM

SL5



- Suitable for the larger home with added functionality for maximum security
- Easy to install
- Advanced 868MHz technology
- 36 Zone LCD control panel (32 wireless + 4 wired zones) 1 detector per zone
- Energy saving solar powered siren
- Compatible with Premium Wireless external lighting control accessory (HW12)
- Remote phone access
- 125m range

CONTENTS

1 x solar siren with LED indicators, 2 x door/window contacts, 2 x movement (PIR) detectors, 1 x control panel, 1 x dummy siren, batteries, fixings, instruction manual and installation DVD, plug in power supply for control panel

UNIT BARCODE 50041009540879

Wireless accessories

DUMMY SIREN

HW0



UNIT BARCODE 5004100954978

SINGLE PIR

HW2



UNIT BARCODE 5004100954923

SINGLE DOOR CONTACT

HW4



UNIT BARCODE 5004100954930

LIGHTING CONTROL

HW12



- Wire light (lamp) to lighting control
- Wire the controller to mains
- Link the controller to the control panel

UNIT BARCODE 5004100954947

KEY PAD

HW5



UNIT BARCODE 50041009540954

BACK UP BATTERY

HW10



UNIT BARCODE 5004100954961

REMOTE KEY FOB

HW3



UNIT BARCODE 5004100954916

TWIN PIR

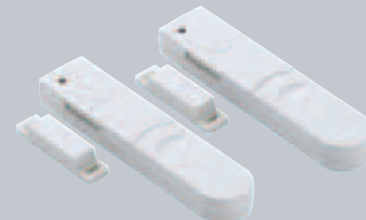
HW22



UNIT BARCODE 5004100954985

TWIN DOOR CONTACT

HW44



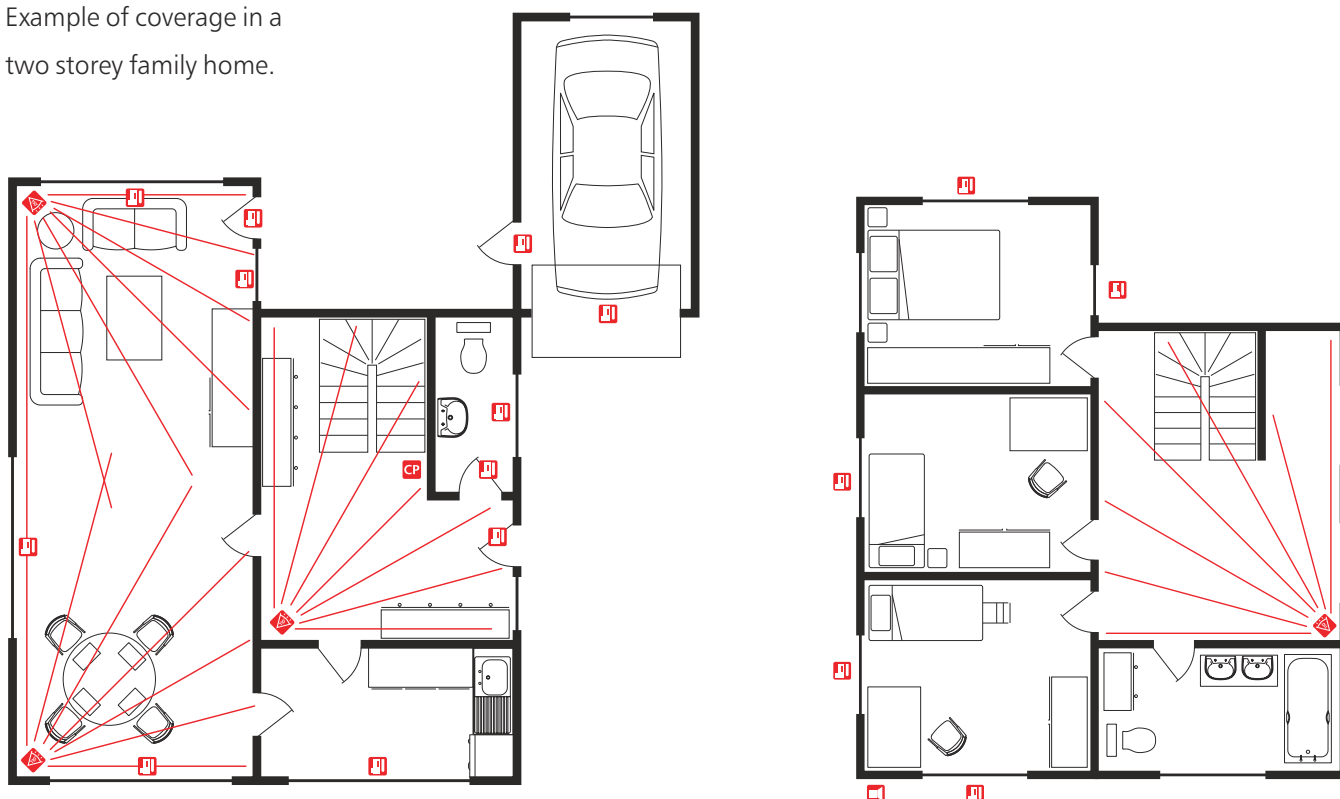
UNIT BARCODE 5004100954992

Response Wireless Alarm Systems

The Response Wirefree Alarm Systems offer internal space protection by monitoring entry points and the interior of the property. To attain maximum coverage, and to prevent false alarms there are a number of rules to follow when installing detectors.

Installation hints and tips

Example of coverage in a two storey family home.

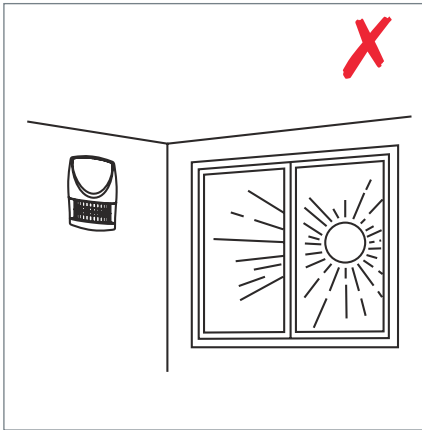


-  PIR Movement Detector
-  Control Panel
-  Solar Siren
-  Magnetic Contact

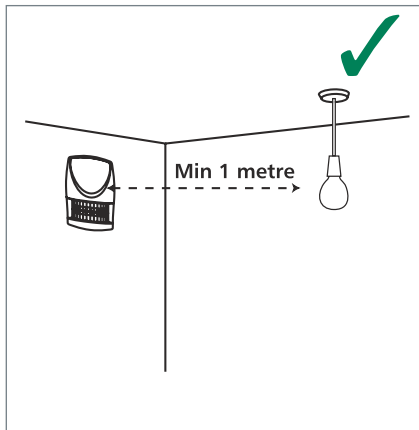
Response Wireless Alarm Systems

Installation hints and tips

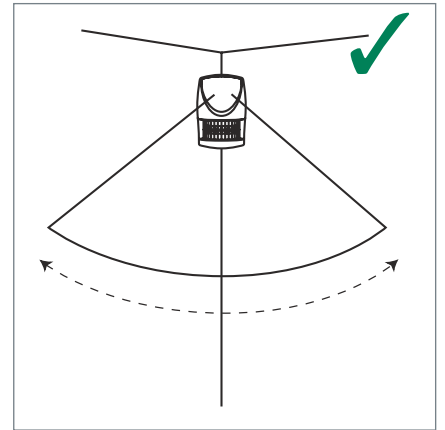
PIR detectors may be wall or corner mounted by applying different knockouts.



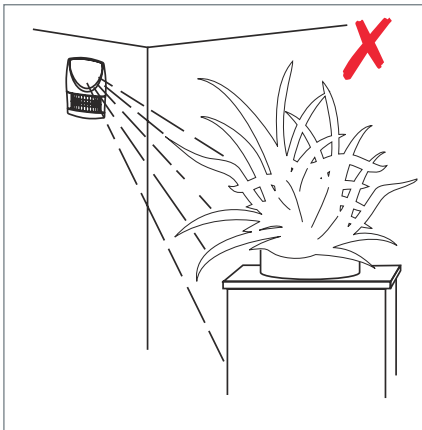
Do not install where the detector is in or facing direct/reflected sunlight or strong draughts/heaters)



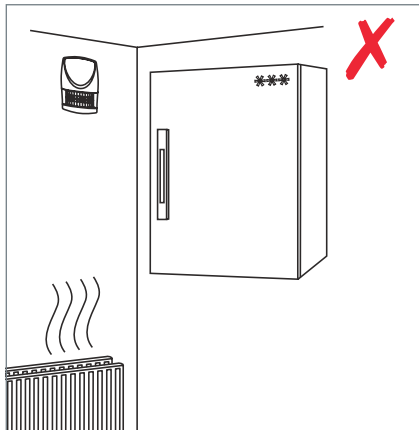
Locate the detector at least one metre away from any illumination, to avoid possible interference



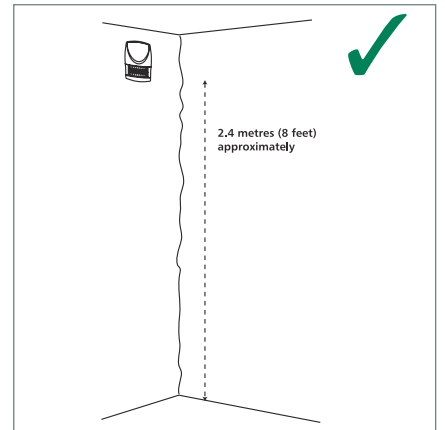
Mount in the corner of a room. PIR detectors are more sensitive to motion passing across the detection zones than toward the unit



Ensure that there are not any obstructions (plants, screens, furniture etc.) in the field of view which may cause incorrect cover/operation of the detector



Avoid locating the detector in areas which contain equipment that may change the environment temperature rapidly. For example: above radiators



Install the detector at the recommended height on a rigid, even surface

Response Wired Alarm Systems

WIRED ALARM KIT

PL4



- Easy to install
- 4 zones
- 2 wire connections
- Keypad operated
- Tamper proof alarm

CONTENTS

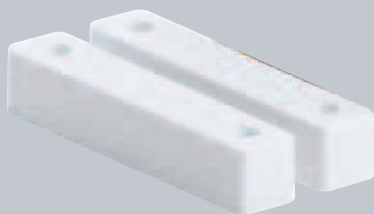
1 x siren with strobe, 1 x door/window contacts, 1 x movement (PIR) detector, fixings, instruction manual keypad control panel & 50m of 2 core alarm cable, plug in power supply for control panel

UNIT BARCODE 5004100954831

Wired accessories

DOOR CONTACT

PW1



UNIT BARCODE 5004100954862

PIR

PW2



UNIT BARCODE 5004100954855

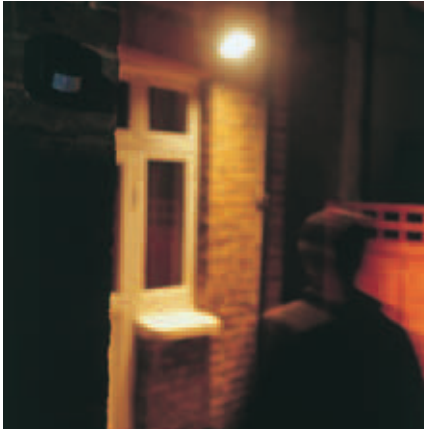
DUMMY SIREN

PW3



UNIT BARCODE 5004100954848

Spectra Wireless PIR Lighting



Wireless Spectra range provides an easy to install detection solution.

The upgraded Spectra Wireless range operates on 868 MHz. This means the products now benefit from a less crowded frequency so they are less prone to interference from other wireless devices and the higher antenna output provides a stronger transmission enhancing the performance and range between PIR & receiver.

Operating on the 868 MHz frequency also means that Spectra Wireless is now compatible with and may be integrated with, the Libra+ chime systems (see Friedland Chimes Catalogue). The Spectra receiver also being compatible with the 868 Mhz security control panels. The Spectra 868 MHz range is even easier to set up and install as they are already pre-programmed to each other.

- Once installed, when the PIR detector senses the movement of heat sources, it sends a signal to the receiver unit, which automatically activates the lighting connected to it
- The wireless detector can be positioned exactly where needed for optimum detection, or in places difficult to reach with cables. It can also be placed up to 200m* away from the receiver unit
- Ideal for use in driveways, courtyards, gardens, outbuildings, perimeter fences and detached garages

* Measured in open field conditions.

SPECTRA WIRELESS PIR

L430N



- 140° wireless movement detector – 200m range
- Wireless and easy to install
- Complete with dusk/dawn sensor to switch between day and night operation for use with chimes and lighting respectively
- Compatible with the Spectra wireless receiver and all Libra+ Chimes

DIMENSIONS

110 x 95 x 73mm

COLOURS

L430N WHI – UNIT BARCODE 5004100410788

L430N BLACK – UNIT BARCODE 5004100410764

SPECTRA WIRELESS PIR

L420N



- 140° wireless movement detector – 200m range
- Wireless and easy to install
- PIR comes complete with dusk/dawn sensor to switch between day and night operation for use with chimes and lighting respectively
- Compatible with the Spectra wireless receiver and all Libra+ Chimes

DIMENSIONS

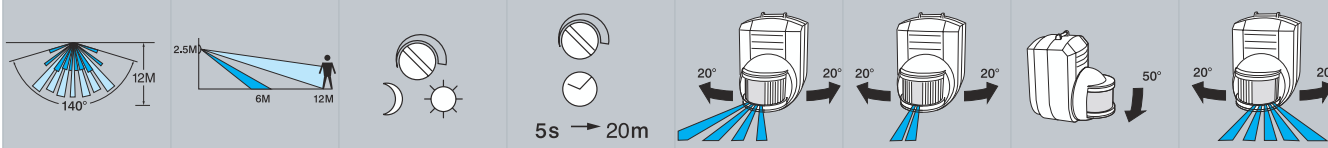
PIR 110 x 95 x 73mm RECEIVER 144 x 94 x 33mm

COLOURS

L420N WHI – UNIT BARCODE 5004100410689

L430N BLACK – UNIT BARCODE 5004100410658

PRODUCT FEATURES



- 140° detection area & 12m detection zone (when mounted 2.5m high)
- 2 detection zones – for reliable activation, without blind spots
- Easy to use rotary controls on base of detector for:
 - Adjustable "time-on" duration to set how long the before the light switches off after movement is detected (5 secs to 20mins)
 - And adjustable photocell – to avoid wasteful daytime operation
- Movement / low battery LED indicator
- Swivel head and lens screening panels for setting the precise width of detection area
- Waterproof up to IP54
- Can be positioned on any firm surface, up to 200m from receiver unit
- Requires 1 x 9v PP3 Alkaline battery

Spectra Detectors and Lights



Spectra Passive Infrared Movement Detectors and Spectra Automatic Security Floodlights.

The range of PIR Movement Detectors are high specification models that turn new or existing outdoor lighting into automatic lights for security, safety and convenience. The PIR Security Floodlights offer you the choice of powerful 500W lighting for wide-area illumination, or energy-saving 150W lighting for more specific areas.

Features and Benefits:

- 15-metre detection range
- 2 detection zones for reliable activation, without blind spots
- 140°, 200° and 360° detection areas
- Passive Infrared Movement Detector – senses the movement of body heat in detection area, to prevent activation from neighbouring properties, passers-by, road traffic etc. Simply use slot-in screening panels to control width of detection area
- False Activation Reduction – automatically reduces false activation by wind, rain, moving branches etc.
- Easy-to-use rotary controls on base of detector
- Adjustable 'Time On' duration, to suit individual requirements – automatically switches light off when movement is no longer detected
- Adjustable photocell prevents wasteful daytime operation – easily set to operate at the level of darkness you choose
- 'Walk Test' allows easy setting and adjustment during daylight
- Can be wired to indoor light switch, giving manual control for permanent on or off
- Screws and wall plugs supplied
- Full step-by-step fitting instructions included
- All models conform to European Low Voltage Directive 2006/95/EC and EMC Directive 2004/108/EC
- All Spectra products are packed in quantities of 4

SPECTRA 360DEG PIR

L230N



- Detector can control lighting up to a total power loading of 1000W tungsten filament or 1000W tungsten halogen lighting
- 360° detection area – all-round coverage
- Corner mount bracket included
- Unsuitable for fluorescent lighting control

DIMENSIONS

82 x 85 x 151mm

COLOURS

L230N WHI – UNIT BARCODE 5004100410528

L230N BLACK – UNIT BARCODE 5004100410443

SPECTRA 200DEG PIR

L220N



- Detector can control lighting up to a total power loading of 1000W tungsten filament or 1000W tungsten halogen lighting
- 200° detection area – wide angle coverage, to protect doors and windows
- Hinged body allows easy access for wiring connections and installation
- Fully adjustable ball type detector provides maximum flexibility
- Unsuitable for fluorescent lighting control

DIMENSIONS

110 x 95 x 73mm

COLOURS

L220N WHI – UNIT BARCODE 5004100410276

L220N BLACK – UNIT BARCODE 5004100410245

SPECTRA 200DEG PIR

L210N



- Detector can control lighting up to a total power loading of 1000W tungsten filament or 1000W tungsten halogen lighting
- 140° detection area – effective protection for vulnerable areas of approach
- Unsuitable for fluorescent lighting control

DIMENSIONS

102 x 70 x 100mm

COLOURS

L210N WHI – UNIT BARCODE 5004100350350

L210N BLACK – UNIT BARCODE 5004100350336

SPECTRA 140DEG PIR

L110N



- Detector can control lighting up to a total power loading of 1200W tungsten filament or 1000W tungsten halogen lighting
- 110° detection area
- Lamp type: max 60W tungsten filament or energy-saving compact fluorescent

DIMENSIONS

240 x 110 x 90mm

COLOURS

L110N WHI – UNIT BARCODE 5004100311092

Spectra Detectors and lights

SPECTRA MINIFLOOD 150W

L510N



- Automatic security floodlight with 140° passive infrared movement detector
- Weatherproof energy-saving 150W halogen floodlight
- Halogen lamp supplied - class 'c' rated
- Detector can also control additional connected lighting up to a total power loading of 1000W tungsten filament or 500W halogen tungsten lighting, however, it is unsuitable for fluorescent lighting control

DIMENSIONS

185 x 135 x 105mm

COLOURS

L510N WHI – UNIT BARCODE 5004100410887

L510N BLACK – UNIT BARCODE 5004100410863

SPECTRA SUPERFLOOD 500W

L540N



- Automatic security floodlight with 140° passive infrared movement detector
- Detector can also control additional connected lighting up to a total power loading of 1000W tungsten filament or 500W halogen tungsten lighting, however, it is unsuitable for fluorescent lighting control

DIMENSIONS

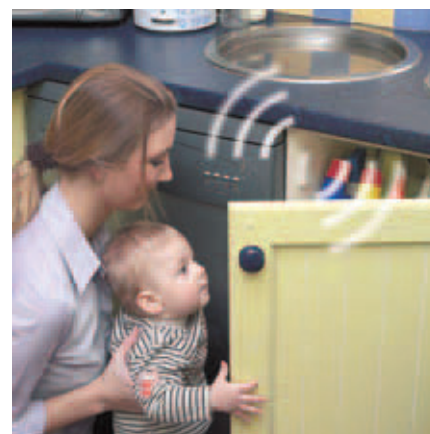
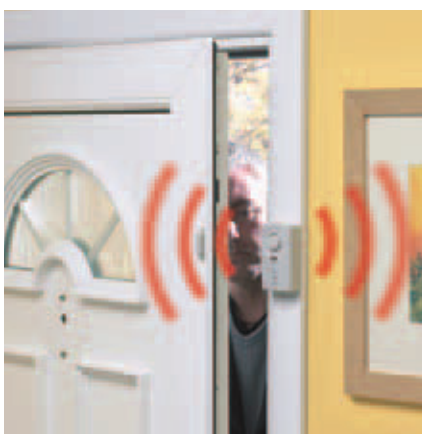
235 x 180 x 130mm

COLOURS

L540N WHI – UNIT BARCODE 5004100411051

L540N BLACK – UNIT BARCODE 5004100411013

Mini Alarm



Friedland Mini Alarm is a range of individual components which can be used together or singularly. The range includes window alarms, entry alarms, motion alarms and personal alarms.

Features and Benefits:

- Easy installation, independent wireless window alarm and entry alarm
- Simple operating instructions, motion alarms incorporate operating keypad, alternatively a remote control option is available
- The Panic Alarm is ideal for use when travelling
- 1 year guarantee

Mini Alarm

SHED ALARM

ML1



- Plug and play shed alarm for simple installation
- Simple functional protection of your shed or outbuilding
- Any unauthorised attempt to interfere with the door contact wiring when armed will activate the alarm
- Requires 1 x 9v PP3 alkaline battery (not supplied)

UNIT BARCODE 5004100954800

WINDOW ALARM TWIN PACK

ML2



- Sensor detects the vibration of a window during an attempted forced entry
- Mounts directly onto window
- Door/Window warning sticker supplied
- Self adhesive pad supplied – no tools required
- 2 sensitivity settings
- Each unit supplied and fitted with 4x1.5v (LR44) alkaline batteries
- For internal use only

UNIT BARCODE 5004100954787

DOOR/WINDOW ALARM TWIN PACK

ML3



- Alarm sounds when magnetic contact is separated
- Mounts onto door or window frame
- Door/Window warning sticker supplied
- Self adhesive pad supplied – no tools required
- 2 settings – Chime or Alarm
- Each unit supplied and fitted with 4x1.5v (LR44) alkaline batteries
- For internal use only

UNIT BARCODE 5004100954794

DOOR/WINDOW ALARM

ML4



- Keypad controlled alarm – sounds when magnetic contact is separated
- Mounts onto door or window frame
- 4 digit user code protected
- Entry and exit delays
- 2 settings – Chime or Alarm
- Door/Window warning sticker supplied
- Fixings supplied
- Batteries not included (requires 3 x 1.5v LR03 (AAA) Alkaline)
- For internal use only

UNIT BARCODE 5004100954817

SINGLE ROOM PIR ALARM WITH KEYPAD **ML5**


- Keypad controlled alarm – sounds when a movement is detected in the room
- Mounts on wall
- 4 digit user code protected
- Entry and exit delays
- 2 settings – Chime or Alarm

- Door/Window warning sticker supplied
- Mounting bracket and fixings supplied
- Batteries not included (requires 3 x 1.5v LR6 (AA) Alkaline)
- For internal use only

UNIT BARCODE 5004100954770
SINGLE ROOM PIR ALARM WITH REMOTE CONTROL **ML6**


- Keypad controlled alarm – sounds when a movement is detected in the room
- Mounts on wall
- Convenient Remote controlled on/off
- Entry and exit delays
- 2 settings – Chime or Alarm
- Panic Alarm

- Door/Window warning sticker supplied
- Mounting bracket and fixings supplied
- Batteries (1 x 3v CR2032 Lithium) (not supplied 3 x 1.5v LR6 (AA) Alkaline)
- For internal use only

UNIT BARCODE 5004100954763
SINGLE ROOM PIR AND PERSONAL SAFETY ALARM KIT **ML7**


- Remote controlled alarm – sounds when any movement is detected in the room
- Mounts on wall
- Convenient Remote controlled on/off
- Entry and exit delays
- 2 settings – Chime or Alarm
- Panic Alarm

- Door/Window warning sticker supplied
- Mounting bracket and fixings supplied
- Door contact magnet prewired for approx. 2 metres
- Batteries 1 x 3v CR2032 Lithium) (not supplied 3 x 1.5v LR6 (AA) Alkaline), PA alarm 4 x 1.5v A76 (LR41)
- For internal use only

UNIT BARCODE 5004100954756
PERSONAL PANIC ALARM **ML9**

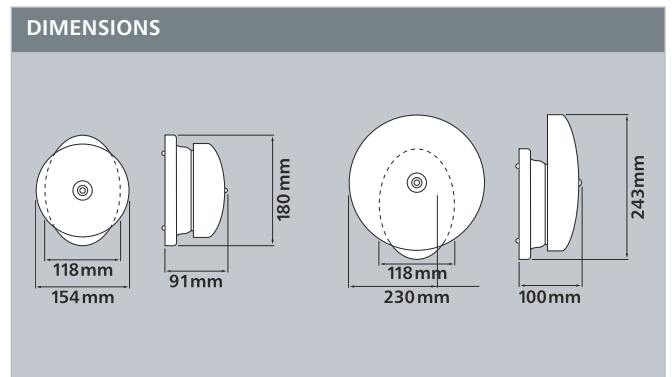

- Alarm sounds by removing pull cord
- Supplied with belt clip
- Continuous operation after removal of cord
- Ideal for: joggers, children, elderly
- Batteries supplied (4 x 1.5v (LR41 alkaline)
- LED Torch

UNIT BARCODE 5004100954824

Security Bells

Features and Benefits:

- Designed for long-life and total reliability
- Solenoid operated
- Compatible with all leading intruder alarm control panels
- Suitable for use in fire alarm systems and general industrial/commercial signalling applications
- Masterbell available in red and grey in a wide choice of voltages
- Wall bracket included



		COLOUR	VOLTAGE	MAX POWER VA/W	SOUND LEVEL DB@1M MAX*	SOUND FREQUENCY HZ	UNIT BARCODES
MASTERBELLS							
56-012	Masterbell	Grey	12V AC	2V~	9VA	100	5004100810694
56-024	Masterbell	Grey	24V AC	24V~	10 VA	100	5004100810700
56-230	Masterbell	Grey	230V AC 50Hz/60Hz	220/240V~	10 VA	100	5004100810724
56-230R	Masterbell	Red	230V AC 50Hz/60Hz	220/240V~	10 VA	100	5004100810779
66-06SP	Masterbell	Grey	6V DC	6(12)V	4 W	91-94	5004100810885
66-12SP	Masterbell	Grey	12V DC	12(24)V	4 W	91-94	5004100811301
66-24SP	Masterbell	Grey	24V DC	24(42)V	4 W	91-94	5004100810847
6624SPR	Masterbell	Red	24V DC	24(42)V	4 W	91-94	5004100810892
BIG BELL							
59-230	Bigbell	Grey	230V AC 50Hz/60Hz	220/240V~	10 VA	106	5004100810939
CONDUIT BOX (168 X 102 X 48MM)							
56-66	Conduit Box	Grey					5004100890207

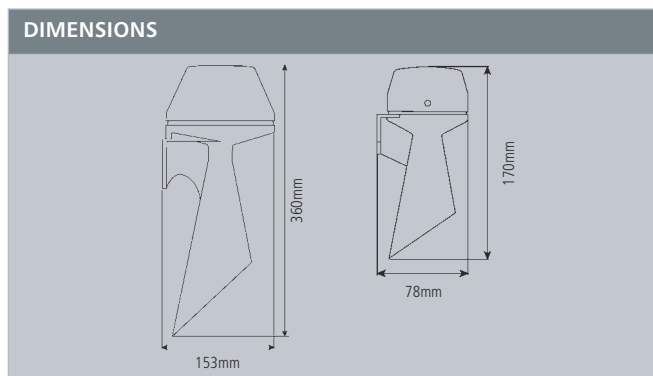
*Sound levels measured in 'Free Field' conditions

Security Bells are IP42, but when used with the addition of conduit box, the IP rating increases to IP44

Security Horns

Features and Benefits:

- Selection of horns for industrial and commercial applications



		COLOUR	VOLTAGE	MAX POWER VA/W	SOUND LEVEL DB@1M MAX*	SOUND FREQUENCY HZ	UNIT BARCODES	
HORNS								
E2620/5	Horn	220V AC 50Hz/60Hz	Grey	220V~	11 VA	100	300 to 10kHz	5004100311375
E2622/1	Mini Horn	6-8V AC	Grey	6-8V~	3.5 VA	90	300 to 12kHz	5004100311313
E2622/5	Mini Horn	220V AC 50Hz/60Hz	Grey	220V~	3 VA	90	300 to 12kHz	5004100311337
E2621/6	Mini Horn	12V DC	Grey	12V	1 W	90	300 to 12kHz	5004100311344
E2621/7	Mini Horn	24V DC	Grey	24V	1 W	90	300 to 12kHz	5004100311351

*Sound levels measured in 'Free Field' conditions

Index

PRODUCT CODE	RANGE	PAGE NUMBER	PRODUCT CODE	RANGE	PAGE NUMBER
CWFK1	Wireless Colour Camera CCTV Kit	5	HW10	Back Up Battery	16
CWFK2	Wireless Colour Camera and 2 Channel DVR CCTV Kit	5	HW3	Remote Key Fob	16
CA3	Wireless Colour Camera CCTV Kit	5	HW22	Twin PIR	16
CWK1	Wireless Colour Camera CCTV Kit	7	HW44	Twin Door Contact	16
CWK2	Wired Colour Camera and 2 Channel DVR CCTV Kit	7	L430N	Spectra Wireless PIR	21
CWK3	Wired Colour Camera and 2 Channel DVR CCTV Kit (Twin Pack)	7	L420N	Spectra Wireless PIR	21
CWK4	Wired Heavy Duty 2 Colour Camera and 4 Channel DVR CCTV Kit	8	L230N	Spectra 360Deg PIR	23
CWK5	Wired Heavy Duty 4 Colour Camera and 4 Channel DVR CCTV Kit	8	L220N	Spectra 200Deg PIR	23
CWK6	Wired Professional 2 Colour Camera and 4 Channel DVR CCTV Kit	9	L210N	Spectra 200Deg PIR	23
CA5	Wired Professional Colour Camera CCTV Kit	9	L110N	Spectra 140Deg PIR	23
CA8	Wired Internal Colour Dome Camera CCTV Kit	10	L510N	Spectra Miniflood 150W	24
CA10	Wired Heavy Duty Colour Camera CCTV Kit	10	L540N	Spectra Superflood 500W	24
CA4	10m Extension Cable Kit	10	ML1	Shed Alarm	26
CA12	20m Extension Cable Kit	10	ML2	Window Alarm	26
CA1	2 Channel Digital Video Image Recorder (DVR) for Response Wireless/ Wired CCTV Kits	11	ML3	Door/Window Alarm Twin Pack	26
CA7	4 Channel Digital Video Image Recorder (DVR) for Response Wireless/ Wired CCTV Kits	11	ML4	Door/Window Alarm	26
CA2	LCD Screen for Response Wireless/ Wired CCTV Kits	11	ML5	Single Room PIR Alarm With Keypad	27
CA6	Dummy Professional Heavy Duty Camera	12	ML6	Single Room PIR Alarm With Remote Control	27
CA9	Dummy Internal Dome Camera	12	ML7	Single Room PIR and Personal Safety Alarm Kit	27
CA11	Dummy Heavy Duty Camera	12	ML9	Personal Panic Alarm	27
E2620/5	Security Horn	29	PL4	Wired Alarm Kit	19
E2622/1	Mini Horn	29	PW1	Door Contact	19
E2622/5	Mini Horn	29	PW2	PIR	19
E2621/6	Mini Horn	29	PW3	Dummy Siren	19
E2621/7	Mini Horn	29	SL1	Premium Wireless Home and Away Alarm System	15
HW0	Dummy Siren	16	SL2	Premium Wireless Multi User Alarm System	15
HW2	Single PIR	16	SL3	Premium Wireless Multi Function Alarm System	15
HW4	Single Door Contact	16	SL5	Premium Wireless Telecommunicating Alarm System	16
HW12	Lighting Control	16	56-012	Masterbell	28
HW5	Key Pad	16	56-024	Masterbell	28
			56-230	Masterbell	28
			56-230R	Masterbell	28
			66-06SP	Masterbell	28
			66-12SP	Masterbell	28
			66-24SP	Masterbell	28
			6624SPR	Masterbell	28
			59-230	Bigbell	28
			56-66	Conduit Box	28

Environmental Policy

Friedland acknowledges the environment as a business issue. In pursuit of business successes, the company recognises the need to conduct its activities in an environmentally responsible manner.

The company is concerned with the need to find solutions to potentially adverse environmental impacts of our business activities and is committed to the prevention of pollution and a programme of continuous improvement.

The company believes that the impact its activities may have on the environment are not confined to our manufacturing processes or indeed within the confines of our site facilities. Rather they can be spread over the life cycle of a product or service, and may contribute to adverse environmental effects in a number of indirect ways. From production of raw material through to end of life disposal of a product, we aim to minimise harm to the environment in every aspect over which we have an influence.

For more information, full technical specification and downloadable installation manuals please visit www.friedland.co.uk



Mixed Sources
Product group from well-managed
forests and other controlled sources

Cert no. SGS-COC-005057
www.fsc.org
© 1996 Forest Stewardship Council

Friedland

Tech Helpline Tel 0844 736 9149

Web www.friedland.co.uk

UK The Arnold Centre Paycocke Road Basildon Essex SS14 3EA United Kingdom

Customer Service Tel 01268 563404

Customer Service Fax 01268 563405

E-mail friedlandorderenquiries@honeywell.com

Ireland Unit 55 Park West Industrial Park Nangor Road Dublin 12 Republic of Ireland

Customer Service Tel +353 (0)1429 6500

Customer Service Fax +353 (0)1429 6501

E-mail ireland.sales@honeywell.com
